

# MASQUE GRANDE PENDANT

## PRODUCT FEATURES

- Available in a modern finish combination of Black and Smoke
- Complementary Exo LED pendant light fixtures also available from Tech Lighting
- Performance-minded, specification grade beam spread options and tool-free aiming
- Fully dimmable LED lamping options to create the desired ambiance
- High quality, long-lasting integrated LED lamping included to save you time and money
- Protected by a 5-year warranty



## LAMPING

Includes 22 watt, 1347.5 delivered lumen, 80 CRI 3000K, field replaceable LED module. Fixture provided with integrated ball joint to accommodate up to 45° slope. The height of the fixture is customizable with three interchangeable threaded down rods included, (1) 6", (1) 12" and (2) 24" in coordinating finish. Dimmable with most LED compatible ELV and TRIAC dimmers. 277V option is not dimmable.

Smoke / Black



Smoke / Black

## ORDERING INFORMATION

700	SYSTEM	MSQGP	COLOR	FINISH	LAMP
	TD LINE-VOLTAGE PENDANTS/SUSPENSION		KB SMOKE/BLACK	B BLACK	-LED LED 80 CRI 3000K 120V -LED277 LED 80 CRI 3000K 277V

700 \_\_\_\_\_ MSQGP \_\_\_\_\_

JOB NAME \_\_\_\_\_

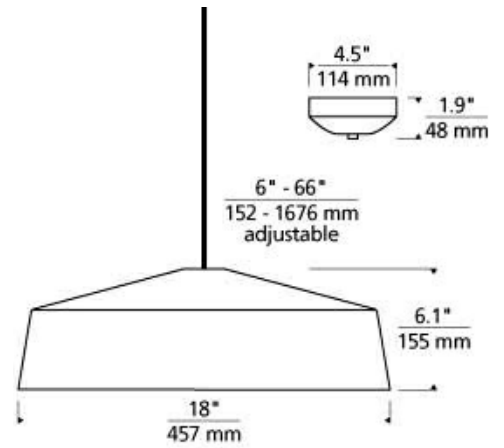
NOTES \_\_\_\_\_



# MASQUE GRANDE PENDANT

## SPECIFICATIONS

HARDWARE MATERIAL	Metal
SHADE MATERIAL	Glass
NET WEIGHT	13.5 lbs
HEIGHT	6.1in
WIDTH	18in
LENGTH	18in
UP LIGHT / DOWN LIGHT / BOTH?	
WET LISTED	
DAMP LISTED	Yes
DRY LISTED	
MIN. HANGING HEIGHT	14in
MAX HANGING HEIGHT	74in
TOTAL CORD LENGTH	
TOTAL STEM LENGTH	
STEM QTY	
SLOPED CEILING ADAPTABLE?	Yes 45° Max
GENERAL LISTING	ETL Listed
INCLUDES	



## LAMPING SPECIFICATIONS

	LED LAMP	INTEGRATED LED	NON LED	NO LAMP
DELIVERED LUMENS		1347.5		
WATTS		22		
MAX WATTAGE PER BULB		22W		
INPUT VOLTAGE		120V		
DIMMING TYPE*		Smoke/Black: ELV, TRIAC Smoke/Black: 0-10V		
CCT		3000K		
CRI		80 CRI		
LED LIFETIME				
L70		50000		
AVERAGE BULB HOURS		50000		
FIELD SERVICEABLE LED				
LAMP BASE		Integrated LED		
LAMP SHAPE		Integrated LED		
LAMP INCLUDED?		Y		
WARRANTY**		5 Years		

\* Dimming information available at [www.techlighting.com/Downloads#dimming](http://www.techlighting.com/Downloads#dimming)

\*\* Visit [techlighting.com](http://techlighting.com) for specific warranty limitations and details.

## T20 / T24 INFORMATION

	Integrated LED	Replacement LED Lamp	No Lamp *
This product can be used to comply with California Building Energy Efficiency Standards 2016 Title 24 Part 6.	No		
This product can be used to comply with California Appliance Efficiency Standards 2016 Title 20 and may be shipped to and sold in California.	N/A		

\* If a light fixture or component does not include a lamp or light source, it is the responsibility of the customer to select a lamp that meets the T24 and T20 requirements.

