

PRODUCT FEATURES

- Straight-lined with crisp edges, Banda's clean aesthetic envelops integrated LEDs providing up and downlight
- Popular 24" length
- Offered in three finishes, Natural Brass that will patina over time, Matte Black and Chrome
- Mounts horizontal or vertical. ADA Compliant.
- Lamping options are compatible with most dimmers
- Protected by a 5-year warranty. please visit the "About Us" Page on techlighting.com for more for warranty details



LAMPING

Includes 120-277 volt universal, 21 watt, 790.6 delivered lumens, 3000K LED linear module. Dimmable with most LED compatible ELV, TRIAC and 0-10V dimmers. Minimum 4" junction box is required.

Natural Brass



Chrome

Matte Black

Natural Brass

ORDERING INFORMATION

| 700BCBND | LENGTH (A) | FINISH | LAMP |
|----------|------------|---|---|
| | 24 24" | C CHROME B MATTE BLACK NB NATURAL BRASS | -LED930 INTEGRATED LED 90 CRI 3000K 120V-277V UNV |

700BCBND _____

JOB NAME _____

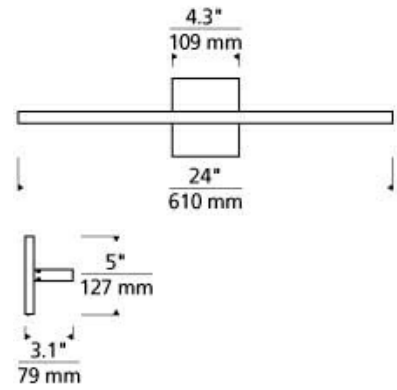
NOTES _____



BANDA 24 BATH

SPECIFICATIONS

| | |
|-------------------|------------|
| HARDWARE MATERIAL | Metal |
| SHADE MATERIAL | Acrylic |
| NET WEIGHT | 2.5 lbs |
| HEIGHT | 5in |
| WIDTH | 3.1in |
| LENGTH | 24in |
| WET LISTED | |
| DAMP LISTED | Yes |
| DRY LISTED | |
| GENERAL LISTING | ETL Listed |
| INCLUDES | |



LAMPING SPECIFICATIONS

| | LED LAMP | INTEGRATED LED | NON LED | NO LAMP |
|-----------------------|----------|---------------------|---------|---------|
| DELIVERED LUMENS | | 790.6 | | |
| WATTS | | 21 | | |
| MAX WATTAGE PER BULB | | 21W | | |
| INPUT VOLTAGE | | Universal 120V-277V | | |
| DIMMING TYPE* | | 0-10, ELV, TRIAC | | |
| CCT | | 3000K | | |
| CRI | | 90 CRI | | |
| LED LIFETIME | | | | |
| L70 | | >50000 | | |
| AVERAGE BULB HOURS | | | | |
| FIELD SERVICEABLE LED | | | | |
| LAMP BASE | | Integrated LED | | |
| LAMP SHAPE | | Integrated LED | | |
| LAMP INCLUDED? | | Y | | |
| WARRANTY** | | 5 Years | | |

* Dimming information available at www.techlighting.com/Downloads#dimming
 ** Visit techlighting.com for specific warranty limitations and details.

T20 / T24 INFORMATION

| | Integrated LED | Replacement LED Lamp | No Lamp * |
|--|----------------|----------------------|-----------|
| This product can be used to comply with California Building Energy Efficiency Standards 2016 Title 24 Part 6. | No | | |
| This product can be used to comply with California Appliance Efficiency Standards 2016 Title 20 and may be shipped to and sold in California. | N/A | | |

* If a light fixture or component does not include a lamp or light source, it is the responsibility of the customer to select a lamp that meets the T24 and T20 requirements.

