

W400.IPR Linear LED wall light

Datasheet

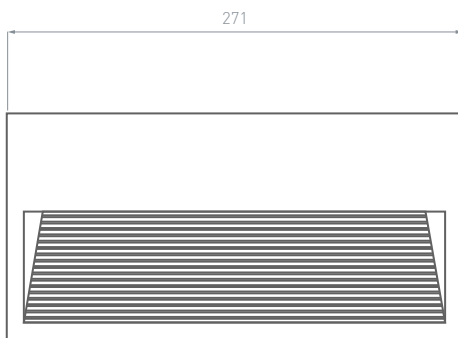


Product codes

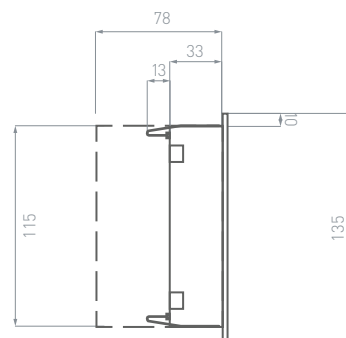
Unit: W400.IPR	Series: LN	Colour temp: 3K 4K 5K 5.7K	Beam angle (°): 70	Colour: B (Black)	Driver: ND
--------------------------	----------------------	---	------------------------------	-----------------------------	----------------------

Dimensions (mm)

Front view



Side view



Electrical

Input voltage:
220-240V

Power usage:
10W

Driver power factor:
0.9

IP rating:
IP65

IK rating:
IK08

Dimmable:
No

Operational

Lumen output:
3K - 350 lm
4K - 406 lm
5K - 461 lm
5.7K - 500 lm

Beam angle:
70°

Light quality (CRI):
80CRI

Operating temp.:
-20 to 45°C

Ambient temp.:
-20 to 65°C

Lifetime L70, B10:
50,000 hrs (@TA25)

Thermal rating:
IC-4

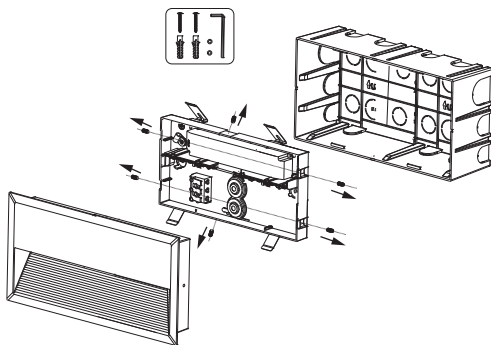
SDCM:
<6MacAdam Steps

Physical

Fascia colour:
Black

Warranty:
3 years

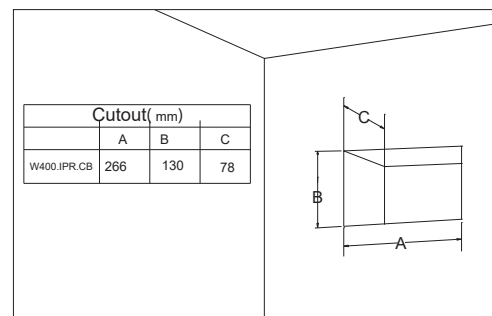
Installation



Step 1

Remove the side cap screws with an allen key then open the cover.

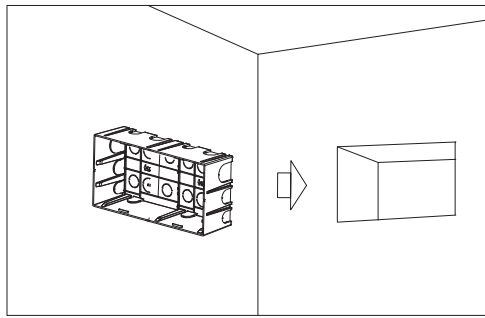
* Location of the allen key points
(2 in total)



Step 2

Prepare the hole cutout.

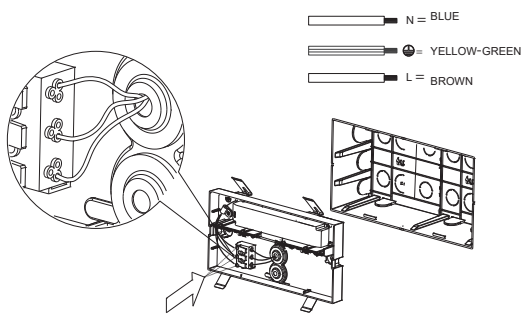
Installation



Step 3

Turn off the power supply then insert the mounting box into the cutout.

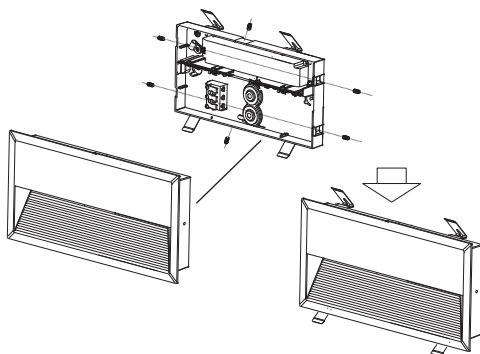
* Note the 'UP' mark on the bottom.



Step 5

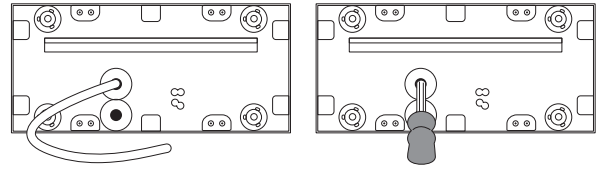
Connect the wires accordingly.

* Electric cable



Step 7

Re-attach the cover using the side screws.

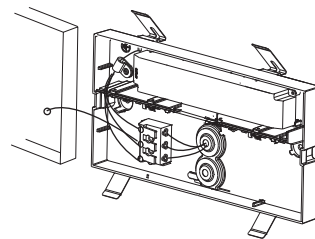


Step 4

Turn off power supply then thread the electric cable through the seal.

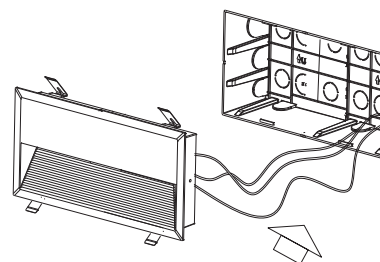
* Thread the electric cable directly through.

* If too tight, pierce the cable gland with a screwdriver.



Step 6

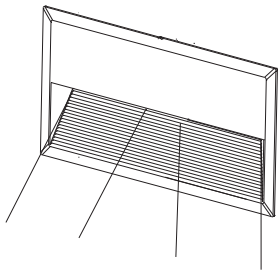
Connect the yellow wire (on the cover) to any side of the yellow wire connector.



Step 8

Insert the light into the mounting box.

Installation



Step 9

Installation complete.