



Vespa G2 Wall Light

# Indirect brilliance

## Unios Toolbox

This digital tool provides you with a platform for configuring, bookmarking and collaborating on luminaires for any project.

[unios.com/toolbox](https://unios.com/toolbox)

---

## LX Configurator

Create a tailor-made linear design in minutes with the pioneering digital tool. With 24/7 access to customised shapes, specifications, IES, BIM and Revit files, there is no limitation to creativity.

[unios.com/lxconfigurator](https://unios.com/lxconfigurator)

---

## Catalogues

Stay up to date with the latest Unios luminaire releases with our range of product catalogues.

[unios.com/catalogues](https://unios.com/catalogues)

---

## Education

With contributions from leading experts, Universal Light is dedicated to increasing the awareness of the impact of light and the lighting industry.

[unios.com/universallight](https://unios.com/universallight)

---

## White Papers

Learn about the specifics of new technologies and trending topics in methodically researched white papers.

[unios.com/whitepapers](https://unios.com/whitepapers)

Lighting Simplified.

Building digital tools.  
Sharing new knowledge.

A minimal wall luminaire range designed for optimum comfort.



#### Lens technology

The Vespa G2 is equipped with a specially assembled lens that allows for a 40° asymmetrical light beam, delivering high output with no colour aberrations while adding depth and height to the interior.

#### Two options

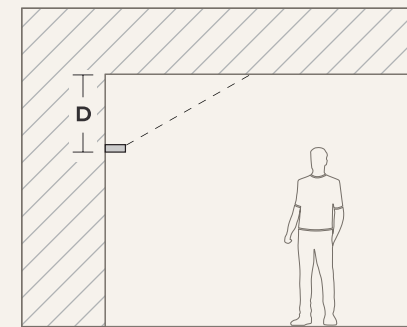
Featuring 2 sizes that allow for 2 different outputs, the Vespa G2 is an outstanding contender for indirect lighting applications.



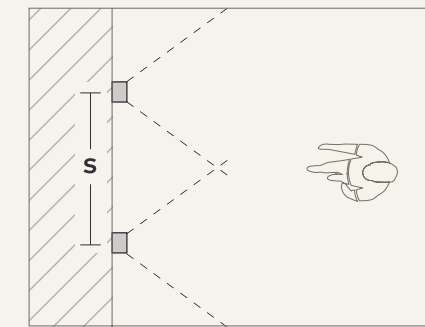




## Recommended spacing guide for the Vespa G2.



**Side View**  
 In the example above, the Vespa G2 has been placed at 2100mm from the floor in a 3000mm room.  
 ( $D = >700\text{mm}$ )



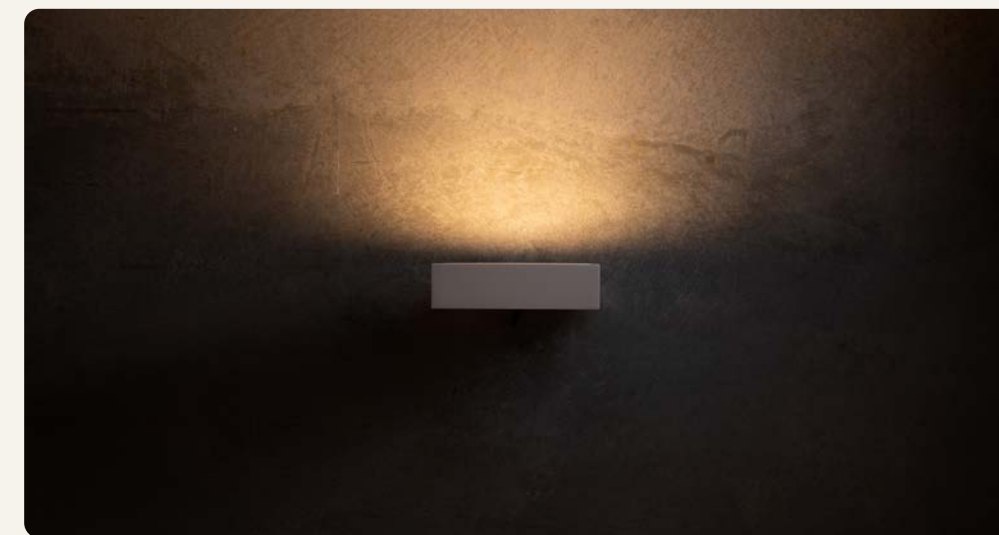
**Birds Eye View**  
 In the example above, the Vespa G2 are spaced at 1400mm from each other. ( $S = 2 \times D$ )

### Vertical

To create a uniform distribution on the ceiling and ample reach into the room, it is recommended that the Vespa is mounted at least 700mm from the ceiling. With a 40° asymmetrical light beam, the further away the Vespa is from the ceiling, the more light reaches into the room and cover more living spaces.

### Horizontal

If there is a need for uniform distribution along the length of the ceiling, it is recommended that the spacing between each luminaire is twice the distance from the ceiling.







Engineered for performance, the Vespa G2 offers high output with zero glare and built-in DALI, wrapped up in a compact package built to last.

#### Built-in DALI

The integral DALI driver offers individual luminaire control for installation and operation convenience.

#### IP65

Meets the industry standard for withstanding water and dust for better longevity.

#### L80B10

The luminaire commits to lasting quality and performance with lifetimes up to >72,000h.







## Better design, less waste.

Engineered with environmental waste reduction in mind, each Vespa fixture is made with only a necessary amount of materials.

The luminaire is designed and optimised so that there is less usage and wastage of raw materials during manufacturing, thus reducing its environmental impact.

By implementing an extrusion process in production, a purpose-built luminaire body is achieved by pushing only the required aluminium into the mould. This reduces any additional subtractive manufacturing methods such as CNC machining. Through this process, Unios is able to reduce both machining time and material wastage, effectively resulting in a more sustainable manufacturing process.



Putting user experience at the forefront, the Vespa G2 was engineered to simplify installation while providing indirect lighting and creating comfort for the end-user.

### Simple installation

Allows separate installation of electrical components through the use of a new internal plug system for both safety and installation simplicity.

### Flicker-free

Equipped with Unios G2 flicker-free built-in driver that complies with all flicker-free standards, the Vespa G2 ensures optimal comfort for occupants.

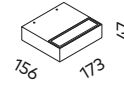
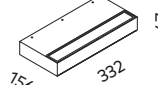




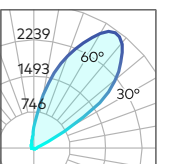
## Vespa G2

## Wall Light



Small Measurements (mm)	Large Measurements (mm)
	
<b>Absolute Luminous Flux</b>	<b>Absolute Luminous Flux</b>
<b>18W (500mA)</b> 1499lm (at 3000K) 1618lm (at 4000K)	<b>36W (1000mA)</b> 3158lm (at 3000K) 3410lm (at 4000K)
<b>Beam</b> 45x120° (F)	<b>Beam</b> 45x120° (F)
<b>Weight</b> 1.12kg	<b>Weight</b> 1.9kg

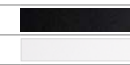
### Beam Options



Flood  
45x120° (F)

### Finishes

Textured Black  
Textured White



### General Specifications

**Material** Powder Coated Aluminium  
**IP** 65  
**Warranty** 5 Years

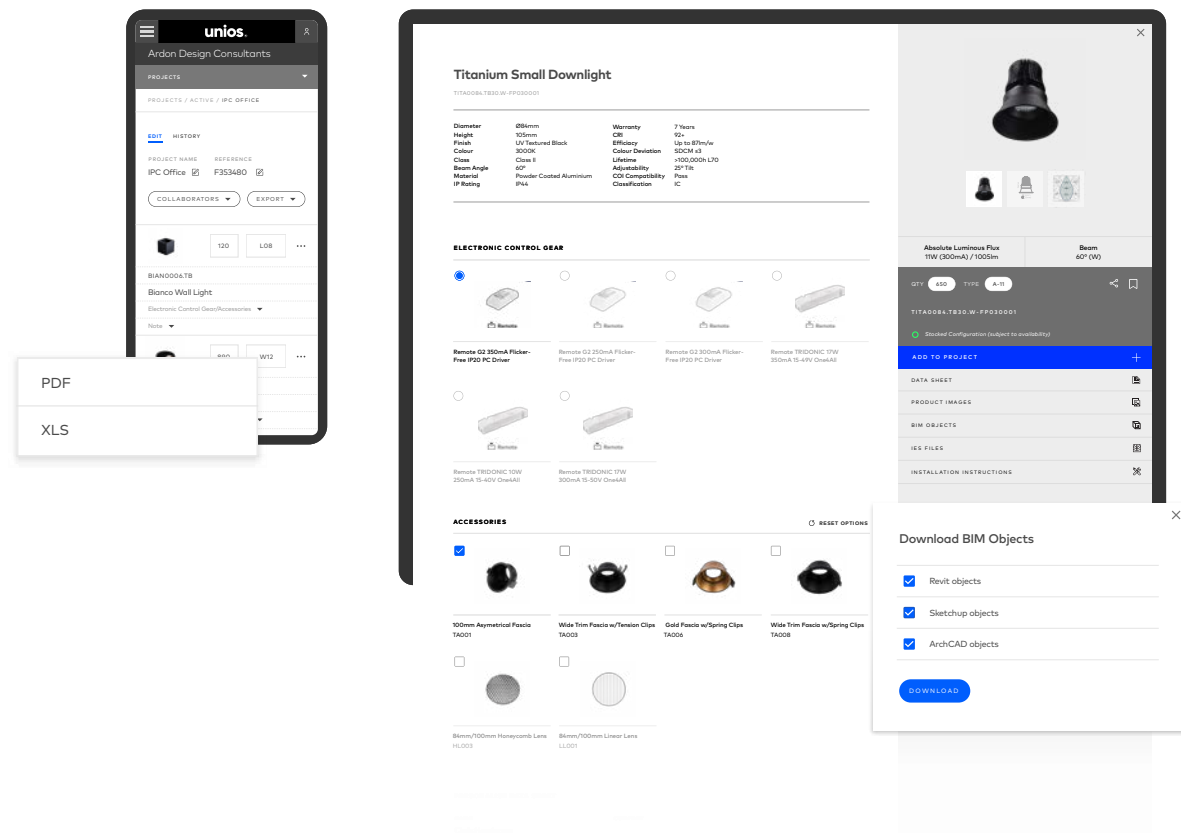
### LED

**Colour Temp** 3000K, 4000K  
**CRI (Ra/R9)** 80+ / >0  
**Efficacy** Up to 94lm/W  
**Colour Deviation** SDCM $\leq$ 3  
**Lifetime** >72,000h L80B10  
50,000h L90B10

### Driver

**240V Built-in Phase-Cut Dimmable Driver**  
240V Built-in TCI DALI Driver (TCI)  
240V Remote Tridonic basicDIM Bluetooth Driver (TB)





## From design to documentation in seconds

### Best-in-class product configuration tools

With different design and performance criteria for every project, discovering and configuring the right luminaire needs to be a seamless process. With the Unios Toolbox, you can filter through thousands of variations in seconds.

### Export customised PDF and Excel lighting schedules

Project lighting can quickly get complex and time-consuming. We've developed a suite of tools to allow you to build a luminaire schedule, export it in PDF or Excel formats and integrate it back into your own project workflow.

### More data accessibility than ever before

BIM objects, IES files, customised data sheets and product images are all easily accessible for your project requirements. All product variations are presented with a holistic view of each data point and piece of documentation you may require.

### Special Thanks

This publication wouldn't be possible without the ongoing support of our project partners, distributors and photographers who have assisted in providing content.

### More Information

For additional technical information and to access our full library, visit [unios.com](https://unios.com). Our library contains a comprehensive database of BIM objects, IES files and product imagery.

Instagram: [instagram.com/unioslight](https://www.instagram.com/unioslight)  
 Facebook: [facebook.com/unioslight](https://www.facebook.com/unioslight)  
 LinkedIn: [linkedin.com/company/unios](https://www.linkedin.com/company/unios)  
 YouTube: [unios.com/youtube](https://www.youtube.com/unioslight)  
 Pinterest: [pinterest.com/unioslight](https://www.pinterest.com/unioslight)

Published by  
**Unios Design**

© Unios Pty Ltd 2021

No part of this catalogue may be reproduced without prior permission from Unios Pty Ltd. Models and technical specifications are subject to modification and enhancements.





**Unios HQ (Australia)**

T +61 8 9248 1888  
E sales@unios.com  
37 Boom Street,  
Gnangara WA 6077

**Sydney, Australia**

T +61 8 9248 1888  
E sydney@unios.com  
103/13 Bowden Street,  
Alexandria NSW 2015

**Melbourne, Australia**

T +61 8 9248 1888  
E melbourne@unios.com  
270-274 Nicholson Street,  
Fitzroy VIC 3065

**Singapore**

T +65 9040 3034  
E singapore@unios.com  
7030 Ang Mo Kio Ave 5, Unit 08-31  
Northstar @ AMK, Singapore 559880

**Ho Chi Minh, Vietnam**

T +84 28 3821 2927  
E vietnam@unios.com  
B2, tháp Canary, Đảo Kim  
Cương, Quận 2, Hồ Chí Minh

**Hanoi, Vietnam**

T +84 28 3821 2927  
E vietnam@unios.com  
E2 - Chelsea Residence, 48 Trần Kim  
Xuyến, Yên Hòa, Cầu Giấy, Hà Nội

**Zhongshan, China**

T +61 8 9248 1888  
E china@unios.com  
No.3 , FuTian 5 Road, Gangkou  
District, Zhongshan City

**Gyeongido, South Korea**

T +82 31 791 3922  
E southkorea@unios.com  
1038 Dadong, Hyundai Knowledge  
Industry Center, 520 Misadaero, Hanamsi