



Mirage

Downlight Series

A commercial downlight that balances glare and performance

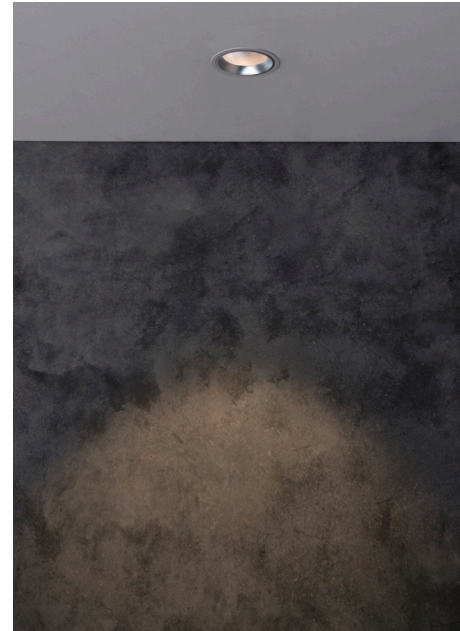
The Mirage Downlight Series is the complete commercial downlight package. Designed with every commercial application in mind, it is equipped with a powerful light engine and an ingenious design that minimises glare while also simplifying installation. The light engine is deeply recessed behind a unique reflector to create a superior 60° cut-off angle for

improved visual comfort and minimal glare. This recessed design is combined with a precise lens to achieve a UGR far superior to traditional commercial downlights at less than 16. The crowning achievement of the Mirage is in its performance – with no compromise in the lumen package despite its improvements in visual comfort and glare.

Mirage



Downlight Series



The Mirage Downlight Series is designed with adaptability in mind with 4 standard sizes and 2 wallwasher sizes. It is the complete downlight solution where there is no compromise in performance or visual comfort.

Comprehensive options

From 591 to 5046 lumens with beam options ranging from 18° to 60°, the Mirage is fit for any application. Each model is available in a range of colour temperatures and control systems.

Performance and comfort

There has always been a trade off between performance and glare. The Mirage's combination of lens technology, unique reflector and deep-recessed light engine is the next step forward in delivering performance and comfort.

Easy install and maintenance

Unlike traditional commercial downlights which use bulky spring clips, the Mirage is designed with a swing clip mechanism that saves time and provides zero hassle, long-term maintenance.

Deep recessed light engine

The Mirage is equipped with CRI 92+, SDCM<2 LEDs to deliver increased colour accuracy and consistency. The body is rated IP54 compared to traditional commercial downlights which are rated IP20.



Low Glare Downlight

A low glare, high performance downlight with an easy-install swing clip.



Wallwasher

A wallwasher in the body of a round downlight to effortlessly and evenly illuminate wall surfaces.



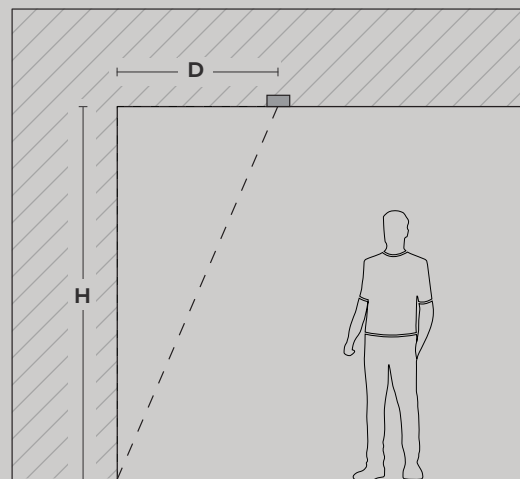
The Mirage Wallwasher has been designed to maximise vertical illuminance through uniform distribution across walls. See the guide below to achieve the ideal wallwashing effect for your project.

Tip: To get a better understanding of the effects of the Mirage Wallwasher, refer to the renders and planning data of a 3m high wall on the next page of both wallwasher variations.

Side View

In the example below, the wallwasher has been placed 1 metre away from the wall.

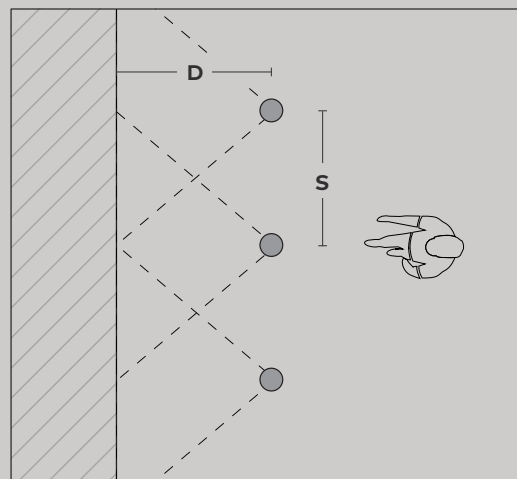
Distance from wall (D) = 1/3 height of ceiling (H)



Birds Eye View

In the example below, the wallwashers are spaced 1 metre away from each other.

Spacing (S) ≤ Distance from wall (D)



Vertical Spacing

To create a uniform distribution vertically up and down the wall, it is recommended to place the Mirage Wallwasher at 1/3 of the height of the ceiling, away from the wall.

Horizontal Spacing

To ensure the best uniformity across the wall, the spacing between each Mirage wallwasher is recommended to be equal to or less than the distance from the wall. If a higher illumination is required, space the luminaires closer to each other.

Model	H*	D*	S*	Uniformity	Avg. lx
MW110 (3000K)	2.4	0.80	0.80	0.724	140
	2.7	0.90	0.90	0.702	109
	3.0	1.00	1.00	0.65	91
	3.2	1.05	1.05	0.674	80
	3.5	1.10	1.10	0.648	72
MW162 (3000K)	2.7	0.90	0.90	0.696	233
	3.0	1.00	1.00	0.646	195
	3.5	1.10	1.10	0.641	153
	4.0	1.30	1.30	0.642	110
	5.0	1.50	1.50	0.622	82

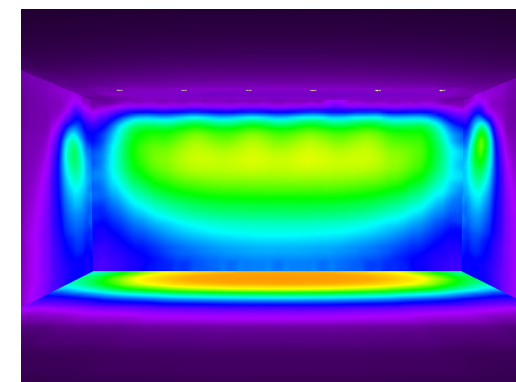
*Measurements in metres.

Spacing guide and values displayed are based on a 10x10m room.

Relationship between average lux and quantity of wallwasher is proportional. For example, to increase the avg lx by 50%, increase the qty of wallwashers by 50%.

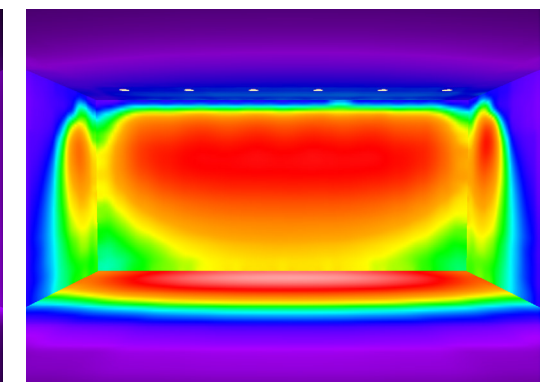
For 4000K avg lx values, apply a modifying factor of 1.1 to the 3000K values.

Mirage MW110 Wallwasher



Illuminance (lux)

Mirage MW162 Wallwasher



59	60	60	60	61	60	60	59	61	59
108	113	115	116	116	116	116	114	114	109
106	113	116	117	117	118	117	116	114	108
84	92	96	97	98	97	97	96	92	85
66	72	76	78	79	79	78	76	72	67
51	56	61	62	63	64	63	60	56	51

0.00 5.00m

136	141	141	142	143	144	143	142	142	139
223	234	238	241	241	242	241	239	236	228
224	239	245	248	248	249	248	246	241	229
177	192	200	204	206	206	205	202	195	282
139	152	160	164	167	167	165	162	154	143
108	119	128	132	134	135	133	129	120	110

0.00 5.00m

3.00m
0.00

Specifications

Wall height	3000mm
Luminaire quantity	6
Luminaire Spacing	1000mm
Offset from wall	1000mm
Luminaire Power	18W
Average illuminance	88lx
Uniformity	0.650

Specifications

Wall height	3000mm
Luminaire quantity	6
Luminaire Spacing	1000mm
Offset from wall	1000mm
Luminaire Power	38W
Average illuminance	189lx
Uniformity	0.650

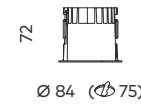


Mirage

Downlight



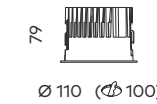
M84
Measurements (mm)



Beam
25° (N) | 50° (M)



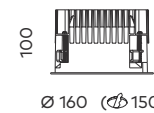
M110
Measurements (mm)



Beam
30° (N) | 50° (M)



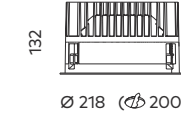
M160
Measurements (mm)



Beam
30° (N) | 60° (W)



M218
Measurements (mm)



Beam
18° (P) | 30° (N) | 60° (W)

Finishes

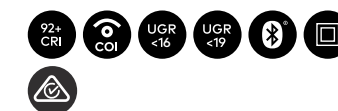
Textured Black	
Textured White	

General Specifications

Material	Powder Coated Aluminium
UGR (Unified Glare Rating)	M84, M110: <16 M160, M218: <19
IP	54
Warranty	5 Years

LED

Colour Temp	2700K, 3000K, 4000K
CRI (Ra/R9)	92+ / >50
Efficacy	Up to 107 lm/W
Colour Deviation	SDCM ≤ 2
Lifetime	>55,000h L80B10



Driver

240V Remote Flicker-Free Phase-Cut Dimmable Driver (FP)¹
240V Remote Flicker-Free Non-Dimmable Driver (CC)
240V Remote Tridonic one4all DALI Driver (TD)
240V Remote Tridonic basicDIM Bluetooth Driver (TB)

Absolute Luminous Flux

	Power	3000K	4000K
M84	8W (250mA)	591lm	633lm
	11W (350mA)	760lm	802lm
M110	9W (250mA)	950lm	1039lm
	13W (350mA)	1218lm	1298lm
M160	18W (500mA)	2022lm	2131lm
	25W (700mA)	2701lm	2833lm
M218	25W (700mA)	2787lm	2998lm
	36W (1000mA)	3875lm	4134lm
	52W (1400mA)	4827lm	5046lm

Accessories



Silver Reflector



Black Reflector



White Reflector

Beam Options



Pencil | 18° (P)



Narrow | 25°, 30° (N)



Wide | 60° (W)

Notes

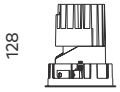
¹M218 52W (1400mA) model paired with 240V Remote Flicker-Free Non-Dimmable Driver (CC)

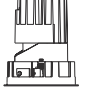


Mirage

Wallwasher



MW110
Measurements (mm)
128

Ø 110 (Ø 100)
Beam
50° (M)

MW162
Measurements (mm)
190

Ø 162 (Ø 150)
Beam
50° (M)

	Absolute Luminous Flux		
	Power	3000K	4000K
MW110	13W (350mA)	476lm	528lm
	18W (500mA)	635lm	705lm
MW162	25W (700mA)	984lm	1074lm
	36W (1000mA)	1381lm	1493lm

Finishes



General Specifications

Material	Powder Coated Aluminium
UGR (Unified Glare Rating)	<16
IP	20
Warranty	5 Years

LED

Colour Temp	2700K, 3000K, 4000K
CRI (Ra/R9)	92+ / >50,
Efficacy	Up to 39lm/W
Colour Deviation	SDCM ≤ 2
Lifetime	>55,000h L80B10

Driver

- 240V Remote Flicker-Free Phase-Cut Dimmable Driver (FP)
- 240V Remote Tridonic one4all DALI Driver (TD)
- 240V Remote Tridonic basicDIM Bluetooth Driver (TB)



Beam Options



Medium | 50° (M)