

# LL200.IP Curve LED Recessed Line Light

## Datasheet

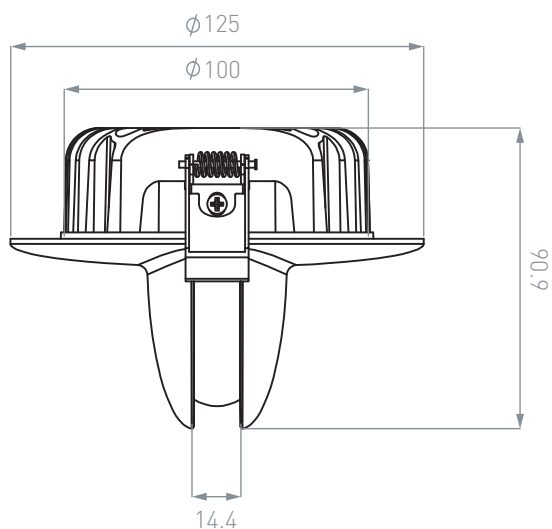


### Product codes

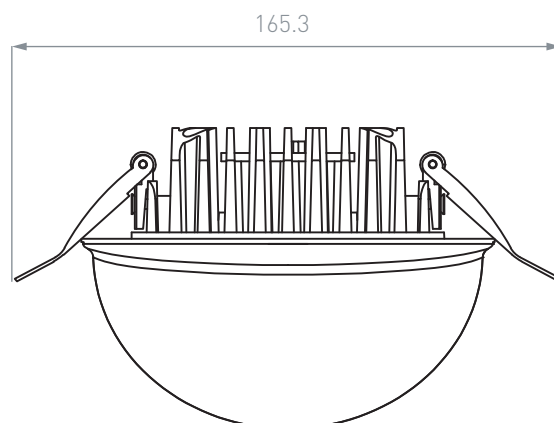
<b>Unit:</b> LL200.IP	<b>Series:</b> CR	<b>Colour temp:</b> 3K 4K RGBW	<b>Beam angle (°):</b> 250X2	<b>Colour:</b> B (Black) W (White)	<b>Driver:</b> ND (Non-dimmable) DALI ZIGBEE
--------------------------	----------------------	---	---------------------------------	--	---

### Dimensions (mm)

Front view



Side view



## Electrical

---

**Colour temperature:**  
3000K or 4000K  
or RGBW

**Input voltage:**  
3K, 4K: 220-240V  
RGBW: 24V

**Power usage:**  
6W

**Driver power factor:**  
0.88

**IP rating:**  
IP65

**IK rating:**  
IK05

## Operational

---

**Lumen output:**  
3K: 280lm  
4K: 290lm  
RGBW: 150lm

**Light quality (CRI):**  
CRI85

## Physical

---

**Lifetime:**  
50,000 hrs

**Warranty:**  
5 years

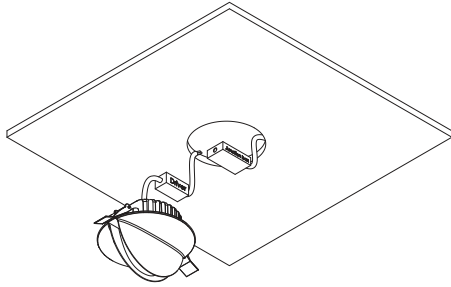
**Hole cutout:**  
Ø 102 mm

## Installation

---

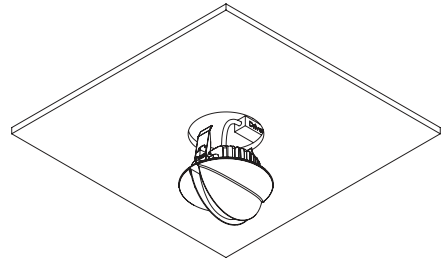
### Step 1

Drill a  $\varnothing 100 - \varnothing 105$ mm hole on the surface where the light will be installed in, then wire the power cable to junction box.



### Step 2

Pull back the springs and insert the luminaire into the cavity.



### Step 3

Installation complete.

