

# HR150.IP Linear RAIL-MOUNTED LED LIGHT

## Datasheet



### Product Codes

<b>Unit:</b> HR150.IP	<b>Family:</b> LN	<b>Colour temp. (K):</b> 2700K (2.7K) 3000K (3K) 4000K (4K) 6000K (6K)	<b>Beam Angle:</b> 110°	<b>Finish:</b> Stainless steel (SS)	<b>Input Voltage:</b> 24V	<b>Version:</b> 1.0
--------------------------	----------------------	--	----------------------------	--	------------------------------	------------------------

### Dimensions (mm)

Front view



Side view



Suitable for a standard  $\varnothing$ 48-52mm round handrail with 0.8-3mm wall thickness

### Photometric

**Delivered Lumen Output:**

2.7K - 145lm  
3K - 150lm  
4K - 155lm  
6.5K - 165lm

**Delivered Lumen Efficacy:**

2.7K - 58lm/W  
3K - 59lm/W  
4K - 61lm/W  
6.5K - 66lm/W

**CRI Value:**

CRI80

### Electrical

**Input Voltage:**  
DC24V

**Power Usage:**  
2.5W

**IP Rating:**  
IP67

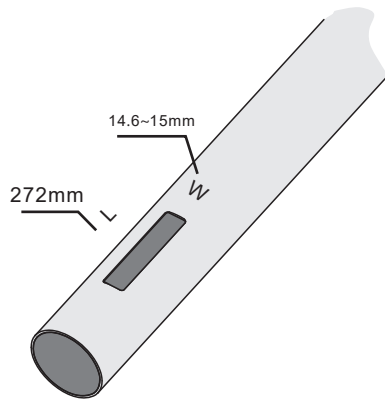
**IK Rating:**  
IK07

**Dimmable:**  
Yes

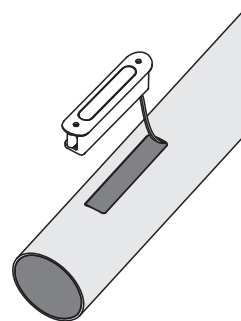
**Driver:**  
PHASE  
Non-dimming  
0-10V  
Dali  
ZIGBEE  
CASAMBI

## Installation

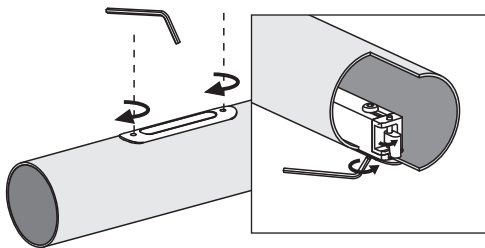
---



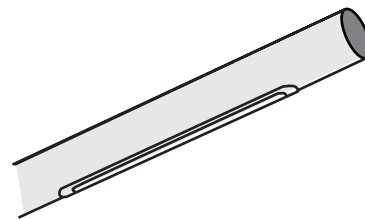
**Step 1**  
Cut a hole in the desired location.



**Step 2**  
Connect the internal handrail wire to the light.



**Step 3**  
Insert the light into the handrail and fix it in place with the screws.



**Step 4**  
Installation complete.