



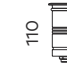



## Cluster

## Inground Uplight

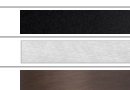
Reengineered with deep-set LEDs and a honeycomb lens to drastically reduce glare



3W (50mm)		7W (75mm)	
Measurements (mm)		Measurements (mm)	
Luminaire	Canister	Luminaire	Canister
 75	 56	 110	 150
Ø 50	Ø 41	Ø 75	Ø 56
	Ø 46		Ø 63
Absolute Luminous Flux		Absolute Luminous Flux	
3W (24V DC) 138lm (at 3000K)		7W (24V DC) 282lm (at 3000K)	
Beam		Beam	
15° (P)		15° (P)   30° (N)	

### Finishes

UV Textured Black  
316 Stainless Steel  
Dark Bronze



### General Specifications

**Material** 316 Stainless Steel, Solid Brass<sup>1</sup>  
**IP** 67  
**Impact Rating** IK09  
**Wiring** Wired in Parallel  
**Maximum Load** 800kg  
**Warranty** 3 Years

### LED

**Colour Temp** 3000K  
**CRI (Ra/R9)** 80+ / >0  
**Efficacy** Up to 57lm/W  
**Colour Deviation** SDCM ≤ 3  
**Lifetime** 3W: >60,000h L80B10  
7W: >50,000h L70B10

### Driver

24V DC Remote Non-Dimmable Driver (CV2)



Designed with a built-in honeycomb lens

Designed with a deep-set COB LED for a sharper beam

Available in a unique dark bronze finish

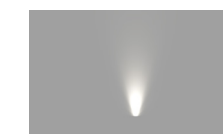
Micro trim design for a minimalistic aesthetic

UV Textured Black and 316 Stainless Steel finish manufactured entirely from 316 stainless steel

### Beam Options



Pencil | 15° (P)



Narrow | 30° (N)

### Notes

<sup>1</sup>Dark Bronze finish is created out of solid brass material.